

Double Diaphragm Pumps

Efficient, Versatile, Reliable



- ZIP₅₂, ZIP₈₀ & ZIP₁₈₂
- ZIP Finishing
- Unica 4-270

Low pressure diaphragm pumps

ZIP52, ZIP80 & ZIP182

The ZIP pneumatic double diaphragm pumps were designed specifically for a reduction in air consumption coupled with better performance and maximum reliability. The exclusive design and the broad application spectrum enable its use for corrosive, abrasive and highly viscous liquid media. ZIP pumps cover a broad application spectrum, including the feeding of paint supply systems; the feeding and circulation of printing ink, solvents, paints, chemicals and oils; the disposal of liquid waste; the supply of low viscosity adhesives; and filling/emptying of tanks, drums and containers.



High efficiency

The optimized design with less dead space enables rapid color change and cleaning, and a reduction in the amount of solvent required.

Reliability

The special long-life diaphragm ensure a high degree of reliability and minimum downtime. High chemical compatibility thanks to PTFE o-rings.

Optimal maintenance

No leakage of fluids: the pump is totally bolted and very few tools are needed to dismantle it.



Minimal pressure

Anti-stall pilot valve, pre-assembled and easy to replace. It operates at minimal pressure due to low internal friction.

High performance

The air motor ensures highest performance with reduced air consumption; requires no additional lubrication and suffers from no freezing problems.

Versatility

Different pump sizes and a comprehensive product palette guarantee a wide range of possible applications.

ZIP Pumps

ZIP₅₂ Perfect Flow

TECHNICAL DATA

Pressure ratio	1 : 1
Material pressure	116 PSI
Material Inlet/Outlet	BSP 1/2"
Volumetric flow with free drainage	6.8 gal/min 1.0 cfm
Sound level at max. flow rate and a feed pressure of 116 PSI	85 dB (A)

ZIP₅₂ Perfect Flow models available in plastic, conductive plastic, aluminum or stainless steel.



Shown: ZIP₅₂ Perfect Flow Stainless Steel

ZIP₅₂

TECHNICAL DATA

Pressure ratio	1 : 1
Material pressure	116 PSI
Material Inlet/Outlet	BSP 1/2"
Volumetric flow with free drainage	13.7 gal/min 1.8 cfm
Sound level at max. flow rate and a feed pressure of 116 PSI	85 dB (A)

ZIP₅₂ models available in plastic, conductive plastic, aluminum or stainless steel.



Shown: ZIP₅₂ Plastic

ZIP₈₀

TECHNICAL DATA

Pressure ratio	1 : 1
Material pressure	116 PSI
Material Inlet/Outlet	BSP 3/4"
Volumetric flow with free drainage	21 gal/min 2.8 cfm
Sound level at max. flow rate and a feed pressure of 116 PSI	85 dB (A)

ZIP₈₀ models available in plastic, aluminum or stainless steel.



Shown: ZIP₈₀ Stainless Steel

ZIP₁₈₂

TECHNICAL DATA

Pressure ratio	1 : 1
Material pressure	116 PSI
Material Inlet/Outlet	BSP 1"
Volumetric flow with free drainage	48 gal/min 6.4 cfm
Sound level at max. flow rate and a feed pressure of 116 PSI	87 dB (A)

ZIP₁₈₂ models available in aluminum or stainless steel.



Shown: ZIP₁₈₂

The low pressure diaphragm pumps of the ZIP range are first choice for high quality pumps. This pneumatically operated double diaphragm pump works with extremely low pulsation. The pumps are equipped with the low icing "Runner" air motor, which is characterised by low air consumption with maximum reliability and performance.

ZIP pump selection table

All ZIP pumps can be identified by a descriptive code. When selecting a pump, it is important to ensure that the paint and the components with which it comes into contact are chemically compatible. If you have any questions, please contact a WAGNER specialist.

Item	Item no.					
ZIP 52	U550.					
ZIP 52 Perfect Flow	U551.					
ZIP 80	U555.					
ZIP 182	U560.					
Pump Body						
Aluminium	A					
Stainless Steel	S					
Polypropylene	P					
Conductive Acetal	G					
Diaphragm						
PTFE	T					
UHMW Polyethylene	H					
Santoprene	X					
Valve seals						
Stainless Steel	S					
Polypropylene	P					
PVDF	F					
PPS	R					
Valve balls						
Stainless Steel	S					
PTFE	T					
Acetal	D					
Fluid inlet/outlet						
Left side-Left side	1					
Universal-Universal	7					
In-out independent	8					
Pneumatical signal connection	9					

WAGNER AirSpray - Perfect finishing for high quality surfaces

WAGNER AirSpray technology

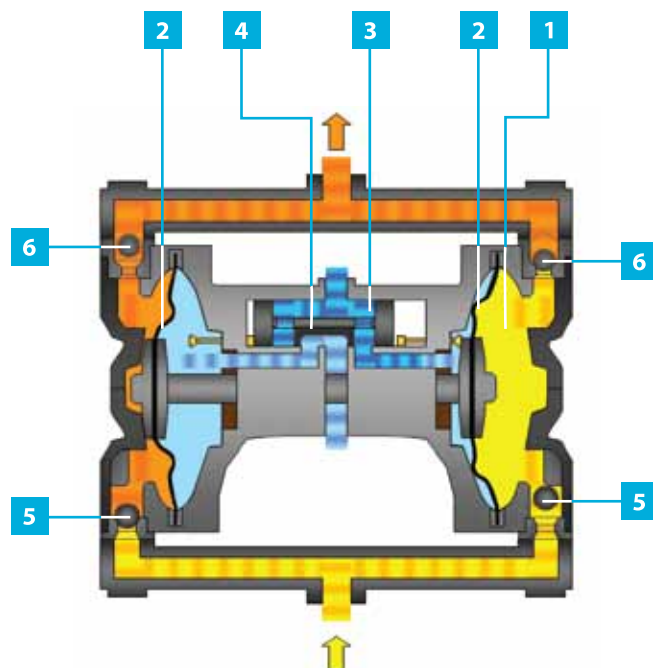
In the AirSpray process, the paint is atomized entirely by air. The purpose of the pump is to feed the gun with a constant flow of material.

Zip pumps are perfect for AirSpray applications. Whether you are using thick high viscosity material, shear sensitive or thixotropic, heat critical paints or just ordinary coatings, Zip finishing equipment meets all the expectations of a professional painter.



Zip52 technology

Two coupled diaphragms (2) are moving from the left to the right and back by help of pressurized air (3). The steering valve (4) guides the air to the side where the diaphragm is moved to contract the fluid chamber (1). Material is being transported by contraction and expansion of the fluid chamber volume and the inlet- (5) and outlet valves (6).



- 1 Pumped material / material chamber
- 2 Long life diaphragm
- 3 Pressurized air
- 4 Reversing valve
- 5 Material inlet valve
- 6 Material outlet valve

The best solution for your job

ZIP Finishing

The first choice for quality diaphragm pumps. Simple and powerful, ideal for feeding automatic and manual spray guns, for high quality surface finishing with electrostatic systems, HVLP or conventional spraying units on wood, metal, plastic, glass and leather. All ZIP Finishing devices contain the Fine Flow Controller (FFC): precision material pressure regulator, anti-pulsation unit and filter in a single device. The patented 3-in-1 solution from WAGNER.



Easy to operate

The air and paint controllers are attached directly to the front display for user-friendly operation.

Wagner spray guns

- manual and automatic
- wide range
- high transfer efficiency
- ergonomic and compact

Wide range of application

Flexible suction hose, also suitable for thicker materials.

No pulsation

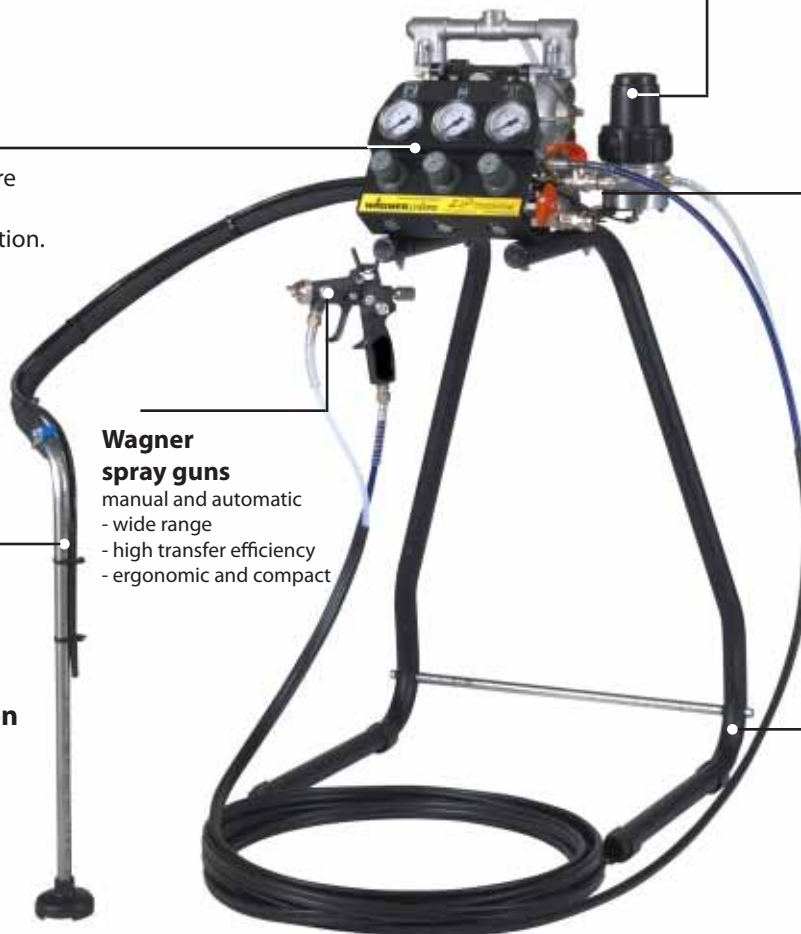
Perfect fluid control due to the innovative 3-in- Fine Flow Controller system.

Fully equipped

- More connections for additional spray guns
- Gun suspension
- Paint return valve
- Dosage air stop valve

Modular

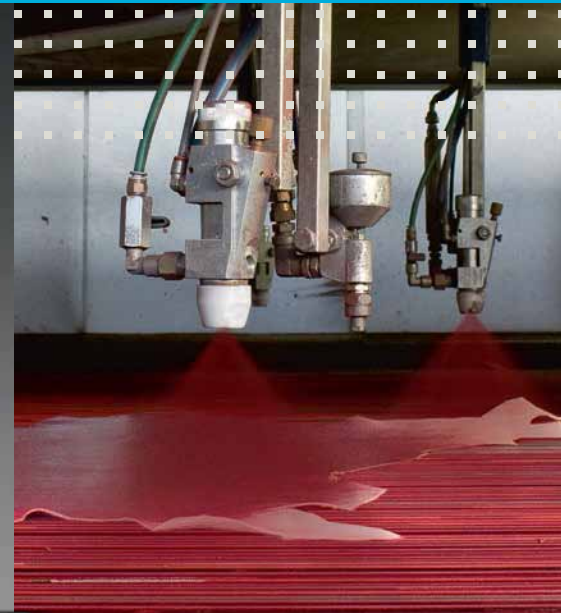
The basic unit offers a variety of mounting options: wall assembly, stand and trolley.



Zip52 Finishing/Zip52 Eco Perfect Flow - A modular system

A modular system for highest flexibility

The WAGNER Zip52 finishing and the Zip52 Eco Perfect Flow is a complete modular system. A wide range of mounting equipment, AirSpray guns, hose packages, fine flow controllers, fluid regulators and special material filters make these units perfect for almost all kinds of application needs.



1 Mounting equipment

Different mounting equipment is available for Zip52 finishing (stand, trolley, wall mount or directly on drum covers).

2 Guns

Wide range of manual and automatic AirSpray guns for all your application needs. The guns are available in conventional AirSpray, medium pressure, HVLP and HVLP plus.

3 Hose packages

Material hoses and air hoses are available separately as well as together as twin hose.

4 Fine Flow Controllers & Anti-Pulsation Tanks

A wide range of fluid regulators, fine flow controllers and anti-pulsation tank are available (see our accessory catalog).

5 Material Filters

Specially designed material filters are available for premium filter performance and easy, fast changing.

6 Hopper Kit

Special 1.3 gal. hopper kit is available. Ideal for customers handling many color changes and small quantities.

ZIP Finishing



ZIP Perfect Flow pail mount

ZIP Perfect Flow Pail Mount

TECHNICAL DATA

Pressure ratio	1 : 1
Material pressure	116 PSI
Material Inlet/Outlet	BSP 1/2"
Volumetric flow with free drainage	6.8 gal/min 1.0 cfm
Sound level at max. flow rate and a feed pressure of 116 PSI	85 dB (A)

Available in aluminum and stainless steel.

Description	Item No.
DDP ZIP Eco PF AL SP	U731.00US
Lid not included. Order separately.	
Lid	T600.1114

ZIP Perfect Flow w/suction system & all connections to lid.



ZIP Eco Perfect Flow

ZIP Eco Perfect Flow

TECHNICAL DATA

Pressure ratio	1 : 1
Material pressure	116 PSI
Material Inlet/Outlet	BSP 1/2"
Volumetric flow with free drainage	6.8 gal/min 1.0 cfm
Sound level at max. flow rate and a feed pressure of 116 PSI	85 dB (A)

Available in aluminum and stainless steel.

Description	Item No.
DDP ZIP Eco PF AL SP	U731.00

INCLUDED ITEMS:

- Pump ZIP Perfect Flow
- Controller for dosage air
- Controller for atomizer air
- Flexible suction hose
- Stand



ZIP Finishing

ZIP Finishing

TECHNICAL DATA

Pressure ratio	1 : 1
Material pressure	116 PSI
Material Inlet/Outlet	BSP 1/2"
Volumetric flow with free drainage	13.7 gal/min 1.8 cfm
Sound level at max. flow rate and a feed pressure of 116 PSI	85 dB (A)

Spray packs are available and include basic mounting equipment, hose and air spraygun.

Description	Item No.
DDP ZIP ₅₂ Alu finish basic	U760.00
DDP ZIP ₅₂ Inox finish basic	U765.00
ZIP ₅₂ Acetal Cond. finish	U772.00
ZIP ₅₂ Acetal FFC SS finish	U773.00

Available Accessories

- Mounting equipment
- Fluid hose
- Filters

See Accessories pages for details



ZIP Finishing on lid

ZIP Finishing on drum cover

TECHNICAL DATA

Pressure ratio	1 : 1
Material pressure	116 PSI
Material Inlet/Outlet	BSP 1/4"
Volumetric flow with free drainage	13.7 gal/min 1.8 cfm
Sound level at max. flow rate and a feed pressure of 116 PSI	85 dB (A)

Premounted pump on the cover of a 25 liter drum.

Description	Item No.
ZIP ₅₂ Finish Alu. 25 L cover with agitator	U760.00CPA
ZIP ₅₂ Finish SSt 25L cover with agitator	U765.00CPA
ZIP ₅₂ Finish Alu. 5 Gal. cover	U760.00CP
ZIP ₅₂ Finish SSt 25L cover	U765.00CP

PROCESSABLE MATERIALS

- ★ Paints and lacquers
- ★ Abrasive paints
- ★ Metallic paints
- ★ Release agents
- ★ Adhesive

Create your own SprayPack

After you have chosen the pump you need, choose the gun and the fluid hose best for your application.

Spray Guns	
3100 HVLP gun with 1.0 mm Nozzle/needle kit	550986
3100 HVLP gun with 1.2 mm Nozzle/needle kit	550987
3100 HVLP gun with 1.4 mm Nozzle/needle kit	550988



CAPspray

Spray Guns	
PILOT Trend MP paint connection 0.5 mm	V1061304053
PILOT Trend MP paint connection 0.8 mm	V1061304083
PILOT Trend MP paint connection 1.0 mm	V1061304103
PILOT Trend MP paint connection 1.2 mm	V1061304123
PILOT Trend MP paint connection 1.5 mm	V1061304153
PILOT Trend MP paint connection 1.8 mm	V1061304183
PILOT Trend MP paint connection 2.0 mm	V1061304203
PILOT Trend MP paint connection 2.5 mm	V1061304253



Pilot Trend

Spray Guns	
PILOT Premium MP paint connection 0.5 mm	V1070404053
PILOT Premium MP paint connection 0.8 mm	V1070404083
PILOT Premium MP paint connection 1.0 mm	V1070404103
PILOT Premium MP paint connection 1.2 mm	V1070404123
PILOT Premium MP paint connection 1.5 mm	V1070404153
PILOT Premium MP paint connection 1.8 mm	V1070404183
PILOT Premium MP paint connection 2.0 mm	V1070404203
PILOT Premium MP paint connection 2.5 mm	V1070404253



Pilot Premium

Fluid Hoses	
Low Pressure Double Hose 25' x 1/4"	S419.00G
Low Pressure Double Hose 25' x 1/4" Stainless Steel Fittings	S419.00GI



Fine Flow Controller (FFC)

The Fine Flow Controller (FFC) is ideal for high quality finishing. This patented 3-in-1 device can be precisely adjusted to control fluid pressure while at the same time works as a filter and anti-pulsation system. The FFC is compact, reducing the internal dead spaces where dirt and residue can build up. This results in easy, fast and inexpensive cleaning and color changes. The filters are easy to replace reducing down-time. Can be used for multi-gun applications such as automatic sprayers, reciprocators and robots.



● Fine Flow Controller	
FFC/100 mesh filter	T0180.00A
Stainless Steel FFC/100 mesh filter	T0180.00AI

● Fine Flow Controller Filters	
FFC filter, 60 mesh (black)	T500.00
FCC filter, 100 mesh (white)	T500.00A
FFC filter, 150 mesh (red)	T500.00B

● Mounting Equipment	
Wall mount	T750.00M
Stand Kit	T760.00S
Handle & Wheels Kit	T760.00R
Complete Trolley Kit	T760.00SR

Spare Parts	
ZIP ₅₂ fluid service set (SS)	T9080.00
ZIP ₅₂ air service set	P4003.00
FFC service set	T9086.00



Wall mount



Complete Trolley Kit



Stand Kit



ZIP₅₂ fluid service set (SS)



ZIP₅₂ air service set

Medium pressure double diaphragm pump

WAGNER Unica 4-270

The WAGNER Unica 4-270, with a 4.5:1 pressure ratio and a maximum working pressure of 392 PSI, is setting new standards in the global market for double diaphragm pumps.

Diaphragm technology is an effective alternative to piston pumps when applying or circulating abrasive products or reactive materials (i.e. UV, acrylics), and is ideal for materials sensitive to shearing or moisture.



Reliability

The special air pressure motor construction, the low-friction design of the pump interior and the long-life diaphragms ensure low maintenance costs and minimize the risk of downtime.

Superior drive power

50% higher working pressure than in other pneumatic double diaphragm pumps on the market.

Minimal shear

Unica's diaphragm technology with minimal shearing action makes it the perfect pump for use in circulation paint systems.

Robust design

The technical design and the mechanical components were developed specifically for very stringent quality requirements.

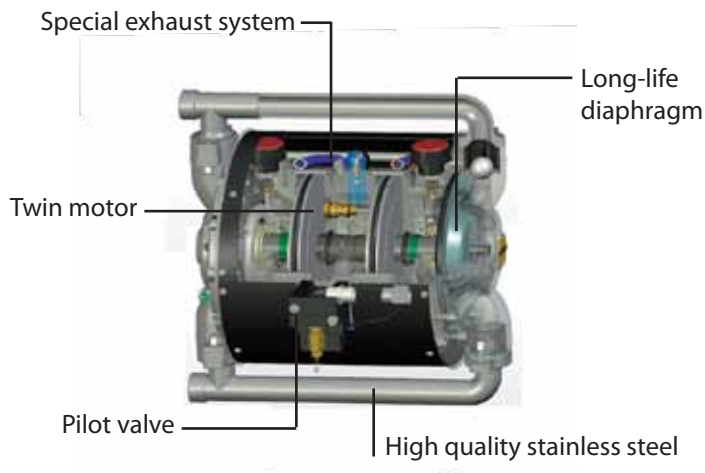
Performance

Reduced pressure drops along the stroke enable the pump to obtain a more stable material flow and a higher useful working pressure.



Patented solution

The hydraulic circuit: The diaphragm motion generates a vacuum that prevents reversal of the diaphragm motion during the intake phase.



Application areas

- Main paint circulation systems
- Boothside/satellite paint circulation systems
- Medium to low viscosity adhesive supply
- Pumping of shear-sensitive paints
- Supply of paint and hardener for 2-K proportioning system

Processable materials

- Water-borne and solvent-borne paints
- Friction-sensitive materials
- Moisture-sensitive materials
- Shear-sensitive water-borne coatings
- UV-cure materials
- Acrylics, glues, abrasives

Unica 4-270

TECHNICAL DATA

Pressure ratio	4.5 : 1
Max. Material pressure	392 PSI
Material Inlet/Outlet	BSP 3/4"
Max. flow rate	31.7 gal/min
Max. recommended flow rate for continuous operation	2.2 gal/min
Sound Level	77.5 dB (A)

Available in stainless steel, PTFE.

Ordering Information

Description	Part No.
Unica 4-270	U580.00
Unica 4-270 Heavy Duty	U580.00HRD
Wall mount	T6151.00
Stand	T6148.00
Air regulator	T6152.00
Flex suction hose BSP 3/4"-S-St	T4021.00I
Valve spring set	T6169.00



Expertise in application

The WAGNER gun program optimally combines economical coating with high surface quality. Whether you need manual or automatic guns for the Airless, AirCoat and air atomization processes, with or without electrostatic support or high speed rotary atomizers, you will find the right solution for your requirements in a broad range of different application areas and media.



WAGNER IceBreaker pumps

Exceptionally reliable

WAGNER combines the patented IceBreaker motor with both piston and diaphragm pumps. Due to their internal geometry and quick exhaust valve, motor ice formation does not occur. Therefore, a low pulsation flow of material and ideal coating results are guaranteed. In combination with durability and low maintenance costs, WAGNER IceBreaker pumps are a reliable solution for all paints.



Wagner Industrial Solutions
300 Airport Road, Unit 1, Elgin, IL 60123
Phone: 800-473-2524 Fax: 630-503-2377
www.wagnersystemsinc.com

